

iREMOTE-MOD/12

Anything you can do on a Real Napco Keypad, you can do on iRemote App or online.
Arm, status, bypass—even service calls.



Napco iRemote. Looks & works 100% like their Real Keypad, Real Time. Real RMR for you.



Upgrade your bottomline with iRemote-Mod/12 today!

- ✓ Supports all Gemini model panels and keypads
- ✓ Remote control Gemini Virtual Keypad includes first 12-months account access on custom dealer website on myremotekeypad.com
- ✓ Simply wire iRemote Module on the panel's keypad bus.
- ✓ Exactly mirrors keypad on premises for easy 24-7 control via web and PC or smartphone. Free Apps.
- ✓ 100% full-function "keypad" for easy remote troubleshooting without making a service call
- ✓ Free Bonus functionality built in:
 - Up/download to panels via internet in just seconds
 - Alarm reporting via internet to central stations supporting NetLink



iREMOTE-MOD/12

Module for Gemini Virtual Keypad & Internet-based remote communications

Easy, Affordable Install or Add-On

Whether in a new account or retrofitting an existing one, the iRemote Module is an economical, easy-to-install unit that creates an online bridge between any NAPCO Gemini Panel and the internet. It simply wires to the panel's keypad bus and is programmed as an incremental keypad on the system. It provides remote online access to a simulated "virtual keypad" on a NAPCO-provided website you and your accounts can use to have complete remote access to the "virtual keypad", a fully-functional mirror-image of the actual model (GEM-RP1, -K-, -VPS, etc.) installed at the premises accessible online from any web browser on any PC or smartphone anywhere in the world.

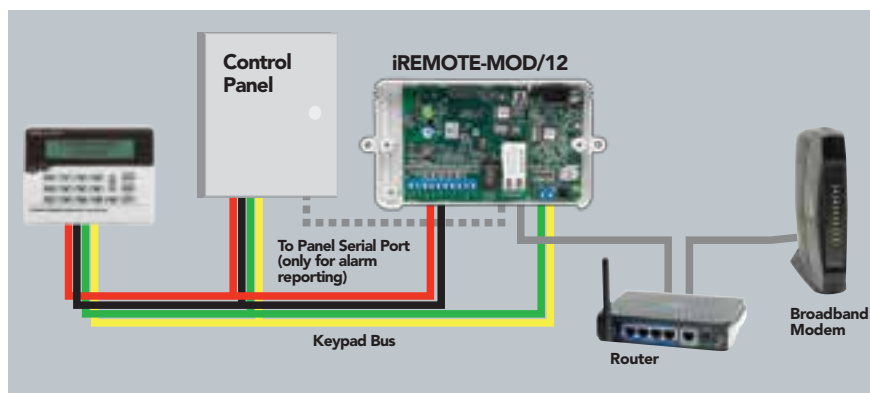
24/7 Remote Keypad Access

Virtual keypad access is securely password protected, available online 24/7 and offers subscribers complete system control from the dealer's own custom version of the Napco-provided website, myremotekeypad.com, customized free of charge with the alarm companies' own logo and contact information. The remote keypad gives customers control of their alarm system and reassurance of knowing the status of their premises. Likewise, for remote troubleshooting or updates, dealers can make keypad programming changes and instantaneously see the exact system status, before and after, without ever traveling to the premises, expending time or gas, using the remote online keypad to make a 'free' service call day or night. Plus, the iRemote Module includes 12-months subscriber online access service.

Remote Keypad & Remote Video

For a truly Total Remote Package, last but not least, the iRemote Module can be combined with complementary Napco's iSee Video, which can be added on to so that both video and virtual keypad capabilities are seamlessly accessed from the same subscriber website, videoalert.net, so accounts can also view real-time or stored images and or streaming video from their on-premises cameras, conveniently on their PC or smartphone, eg., iPhone, iPad, Droid, Blackberry with free downloadable App. They can see what's going on when they aren't in, for example; a child returning home from school, or the time that a chainstore opened.

Wiring of iRemote Module on Keypad Bus



FREE Built In Extras:

High Speed Downloading & Internet Alarm Reporting

As the iRemote Module effectively puts the panel online, the alarm company automatically gets advantageous new FREE features with the rapid communications speeds made possible via the worldwide web. Dealers can securely perform high-speed downloads and uploads to the panel in mere seconds over the internet. Additionally, iRemote Module can be used as an internet-reporting module and report alarms and events via its internet connection to virtually any central station that supports NetLink. The internet is an ideal solution for the industry's POTS problem and with the iRemote Module the online alarm reporting function is FREE.

Specifications

Dimensions

1½" x 7" x 4¾" (HxWxD)

Input Voltage

13.0 - 10.0VDC.

Nominal Input Current

(@ 12VDC) = 80mA (supplied by control panel connections)

Panel Compatibility

GEM-X255, GEM-P9600, GEM-P3200, GEM-P1664, GEM-P1632, GEM-P816; Gemini Commercial

Ordering Information:

iREMOTEMOD/12 Module, mounts on keypad bus of any Gemini panel, includes 12-mos. account access online.

iREMOTE 64 PAK GEMP1664 panel, GEM-K1VPS Keypad, Virtual Keypad and iREMOTEMOD/12 includes 12 months subscriber access



333 Bayview Avenue, Amityville, NY 11701
1.800.645.9445 • www.napcosecurity.com