

## Delayed Egress Timer

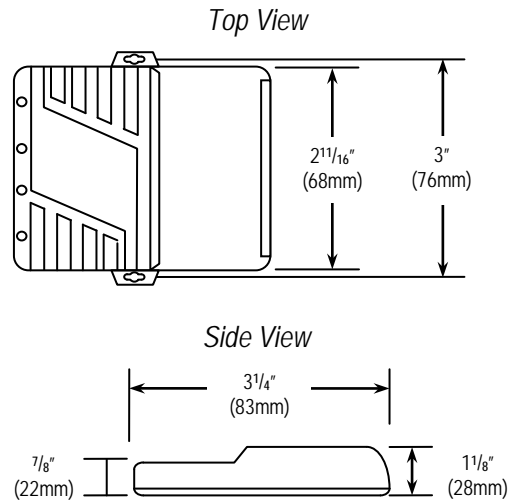
### SA-025EQ

#### Features:

- 3 Relock modes to meet different installation requirements:
  - Standard manual relocking
  - BOCA (Building Officials Code Administrators) relocking
  - Timed relocking (1-60 seconds)
- Programmable nuisance delay timer (0-3 seconds)
- Adjustable pre-delay timer (1-30 seconds)
- Adjustable post-delay timer (1-60 seconds)
- Selectable manual or automatic relocking after power loss
- Lock relay output (Form C, 10A@24VDC)
- Remote alarm relay output (Form C, 10A@24VDC)
- Local alarm output (transistor ground, 500mA@12VDC)
- Door status input
- Status LEDs show relay status
- Bypass input immediately releases locks
- Free egress input allows easy egress during the delay



#### Dimensions:



#### Specifications:

Operating voltage	12-24 VDC/VAC	
Current draw	Standby <sup>1</sup>	120mA@12VDC
	Pre-delay	90mA@12VDC
	Local alarm	35mA@12VDC
	Timer only <sup>2</sup>	15mA@12VDC
Lock control output	10A@24VDC, Form C, NO/NC/COM	
Remote alarm output	10A@24VDC, Form C, NO/NC/COM	
Local alarm output	Transistor ground, 500mA@12VDC	

<sup>1</sup>Lock relay and remote alarm relay are normally energized.

<sup>2</sup>When lock relay and remote alarm relay de-energized.

#### Also Available from SECO-LARM®:



**SA-025Q**  
Multi-Purpose  
Programmable Timer



**SA-026Q**  
Miniature  
Timer Module



**SA-027WQ**  
7-Day  
Timer



**SA-027HQ**  
365-Day  
Annual Timer

### SECO-LARM® U.S.A., Inc.

16842 Millikan Avenue, Irvine, CA 92606

Phone: (949) 261-2999 | (800) 662-0800 Fax: (949) 261-7326

Website: [www.seco-larm.com](http://www.seco-larm.com) Email: [sales@seco-larm.com](mailto:sales@seco-larm.com)



Copyright 2015 © SECO-LARM U.S.A., Inc. All rights reserved.

All trademarks are the property of SECO-LARM U.S.A., Inc. or their respective owners.

The SECO-LARM policy is one of continual development. For that reason, SECO-LARM reserves the right to change prices and specifications without notice. SECO-LARM is not responsible for misprints.

**SECO-LARM® ENFORCER® CRIMEBUSTER® CBA SLI®**