

MAXSYS®

INTEGRATED SYSTEMS TECHNOLOGY

LCD4500/4501

PLAIN LANGUAGE KEYPADS

MAXSYS system keypads provide a plain language interface using a large 32 character LCD display with adjustable brightness and contrast.

All system programming and user operations can be performed using the LCD keypads. Keypads are connected to PC4010/4020 control panels via a 4-wire system communications bus (Combus) which provides power for the keypads and acts as the system communication channel.

Keypads are enrolled onto the system at the time of installation, and are supervised for low voltage and presence by the main panel.

Keypads Per System

PC4010, PC4010CF, PC4020, and PC4020CF control panels :

- up to 16 keypads
- any mix of LCD4500/4501 keypads can be used in a system
- keypads can be assigned as "global" – for system wide control or "partition" – for operation of a specific partition only

LCD4500 Series Keypads – Features



- two line, 32 character LCD display
- programmable LCD display contrast and brightness
- LCD display and keys backlit for low light viewing
- individual LED indicators for Trouble and Armed
- piezo buzzer provides audible feedback for correct/incorrect key entries, entry/exit alert, and system trouble conditions
- three dedicated keys for keypad activated alarms :
 - Fire, Panic, Auxiliary
- keypad activated Duress code... user code programmed as a Duress code.
- keys 1 to 5 programmable as function keys... see *Function Key Options* for a complete list of available functions.
- other keypad versions in LCD4500 series (R = Canadian version) :
 - LCD4500T..... keypad with wall tamper
 - LCD4520/4500R..... keypad with red bezel for fire panels
 - LCD4520T/4500TR keypad w/ wall tamper & red bezel for fire panels



LCD4501

LCD4501 Series Keypads – Features

- two line, 32 character LCD display
- programmable LCD display contrast and brightness
- LCD display and keys backlit for low light viewing
- 'backlighting boost' provides extra key back-lighting when any key is pressed
- individual LED indicators for Trouble, Armed, and Ready
- piezo buzzer provides audible feedback for correct/incorrect key entries, entry/exit alert, and system trouble conditions
- three dedicated keys for keypad activated alarms :
 - Fire, Panic, Auxiliary
 - each key individually enabled via programming
 - each key individually programmable to activate the bell output with a choice of steady or pulsing output
 - each key individually programmable to activate the keypad buzzer to provide 3 beeps on a keypress.
- keypad activated Duress code... user code programmed as a Duress code.
- 5 individual programmable function keys...see *Function Key Options* for a complete list of available functions.

LCD4501 Keypad...factory default functions are :

 1. Stay..... Stay arming
 2. Away Away arming
 3. Chime Door chime on/off
 4. Reset..... Reset smoke detectors
 5. Exit Activate quick exit

LCD4521/4501R series keypads (fire)...factory default functions are :

 1. Silence Trouble
 2. Silence Bells
 3. Fire Reset
 4. Fire Drill
 5. Lamp Test
- other keypad versions in LCD4501 series (R = Canadian version) :
 - LCD4501T..... keypad with wall tamper
 - LCD4521/4501R keypad with red bezel for fire panels
 - LCD4521T/4501TR keypad w/ wall tamper & red bezel for fire panels

Function Key Options

The following is a complete list of functions that can be programmed for the five dedicated function keys on LCD4501 series keypads or for keys 1 through 5 on LCD4500 series keypads. Each keypad can be programmed with a different set of functions if desired.

- Null (no function)
- Stay Arm
- Away Arm
- No-Entry Arm
- Door Chime On/Off
- System Test
- Bypass Mode
- Trouble Display
- Alarm Memory
- Programming Access Codes
- User Functions
- Quick Exit
- Reactivate Stay/Away Zones
- Command Output Option #1-8
- Silence Trouble
- Silence Bells
- Fire Reset
- Fire Drill
- Lamp Test
- Fire Inspection Test

Specifications

- **operating environment** - 32 to 122°F (0 to 50°C)
- 90% RH non-condensing
- **current draw** ...55 mA (from Combus)
...90 mA with backlighting boost on LCD4501 series
- **dimensions** ...5.75" x 4.5" x 1" deep (14.4 x 11.4 x 2.5 cm)

Listings

USA*

UL1610 Central Station Burglar Alarm
 UL609 Local Burglar Alarm
 UL365 Police Station Burglar Alarm
 UL985 Household Fire Warning
 UL1023 Household Burglar Alarm

In addition, the LCD4520/21 is listed :

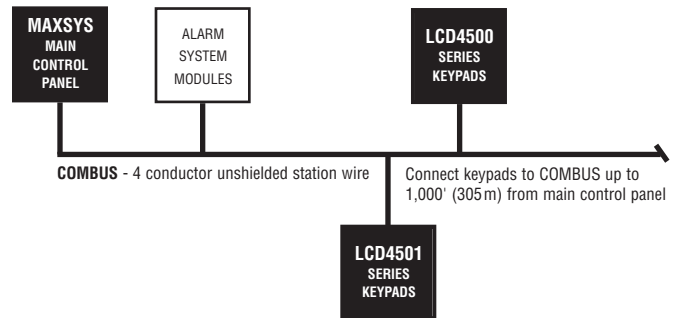
UL864 Control Units System
 (L, CS, -A, M, SS, WF)

* **At least one fire version keypad must be used with Maxsys UL listed 'CF' commercial fire panels**

CANADA

ULC-S527 Central Station Fire Alarm
 ULC-S302 Central & Monitoring Station Burglar Alarm
 ULC-S303 Local Alarm (Commercial Burglary)
 ULC-S310 Household Burglar Alarm
 ULC-S545 Household Fire Warning
 UL294 Access Control

Typical System Arrangement



Ordering Information

LCD4500 Series... without dedicated function keys :

- LCD4500 LCD keypad
 LCD4500T LCD keypad with wall tamper
 LCD4520 LCD keypad with red bezel for fire panels
 LCD4520T LCD keypad with red bezel and wall tamper

Canadian Version

- LCD4500R LCD keypad with red bezel for fire panels (CND)
 LCD4500TR LCD keypad with red bezel and wall tamper (CND)

LCD4501 Series... with 5 dedicated function keys :

- LCD4501 LCD keypad with 5 function keys
 LCD4501T LCD keypad with 5 function keys & wall tamper
 LCD4521 LCD keypad with 5 function keys & red bezel for fire panels
 LCD4521T keypad with 5 function keys, wall tamper & red bezel for fire panels

Canadian Version

- LCD4501R LCD keypad with 5 function keys & red bezel for fire panels (CND)
 LCD4501TR keypad with 5 function keys, wall tamper & red bezel for fire panels (CND)



Digital Security Controls
 1645 Flint Road, Downsview, ON Canada M3J 2J6

Distributed by :